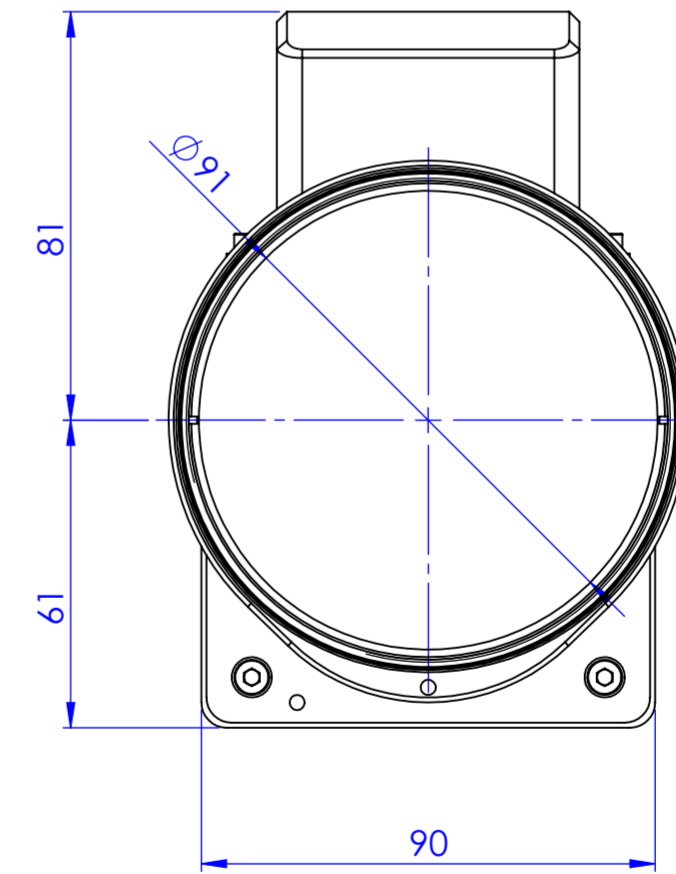
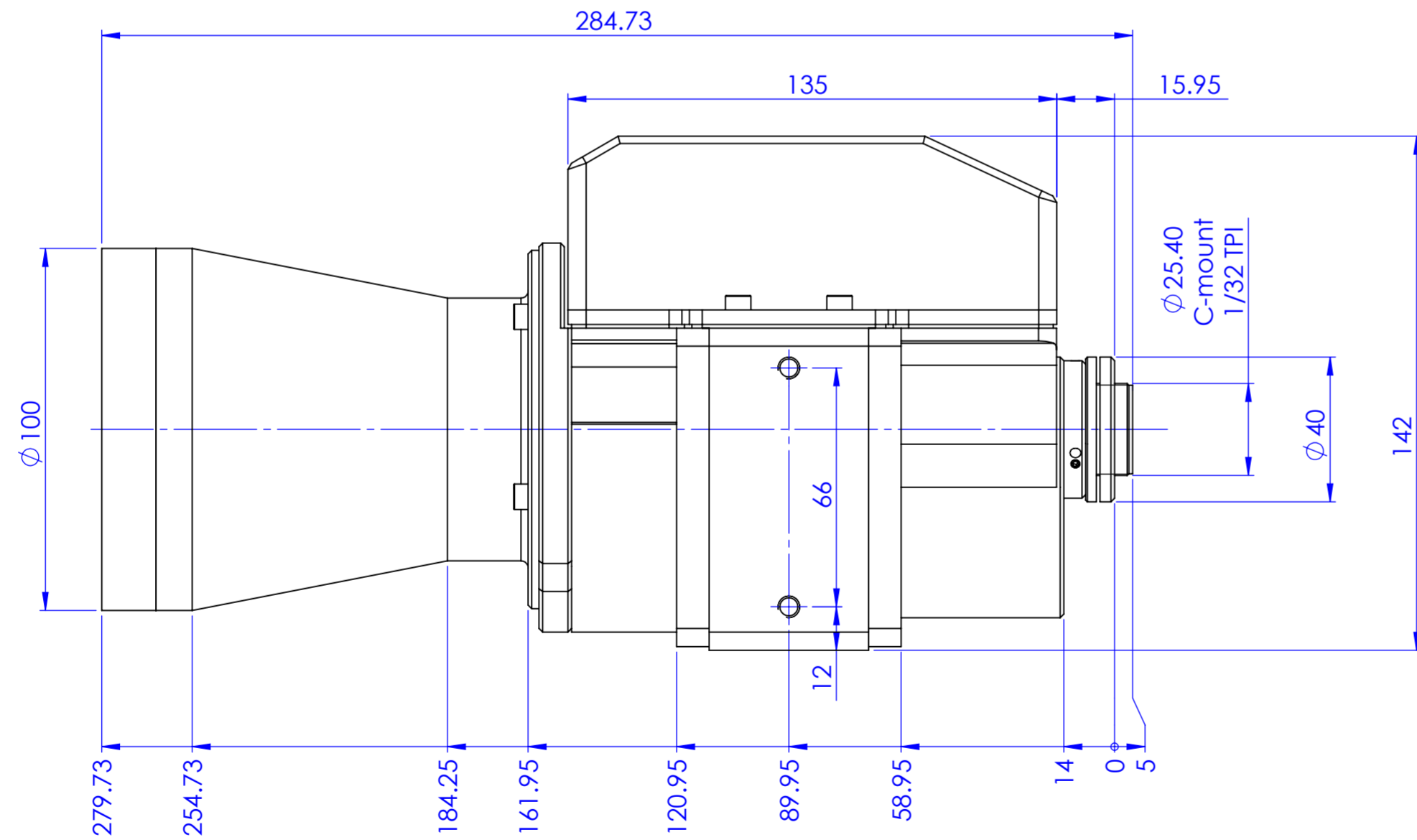
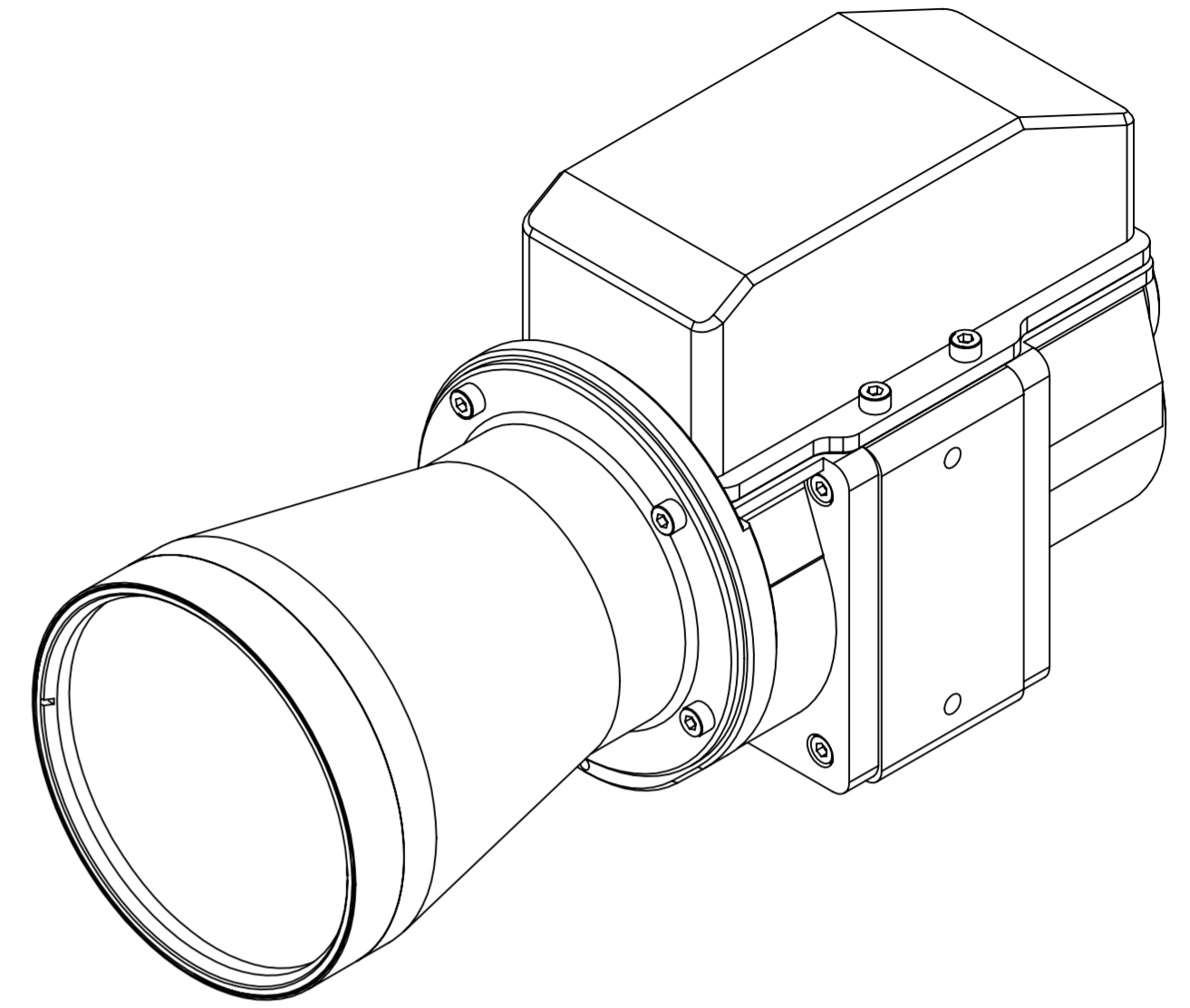
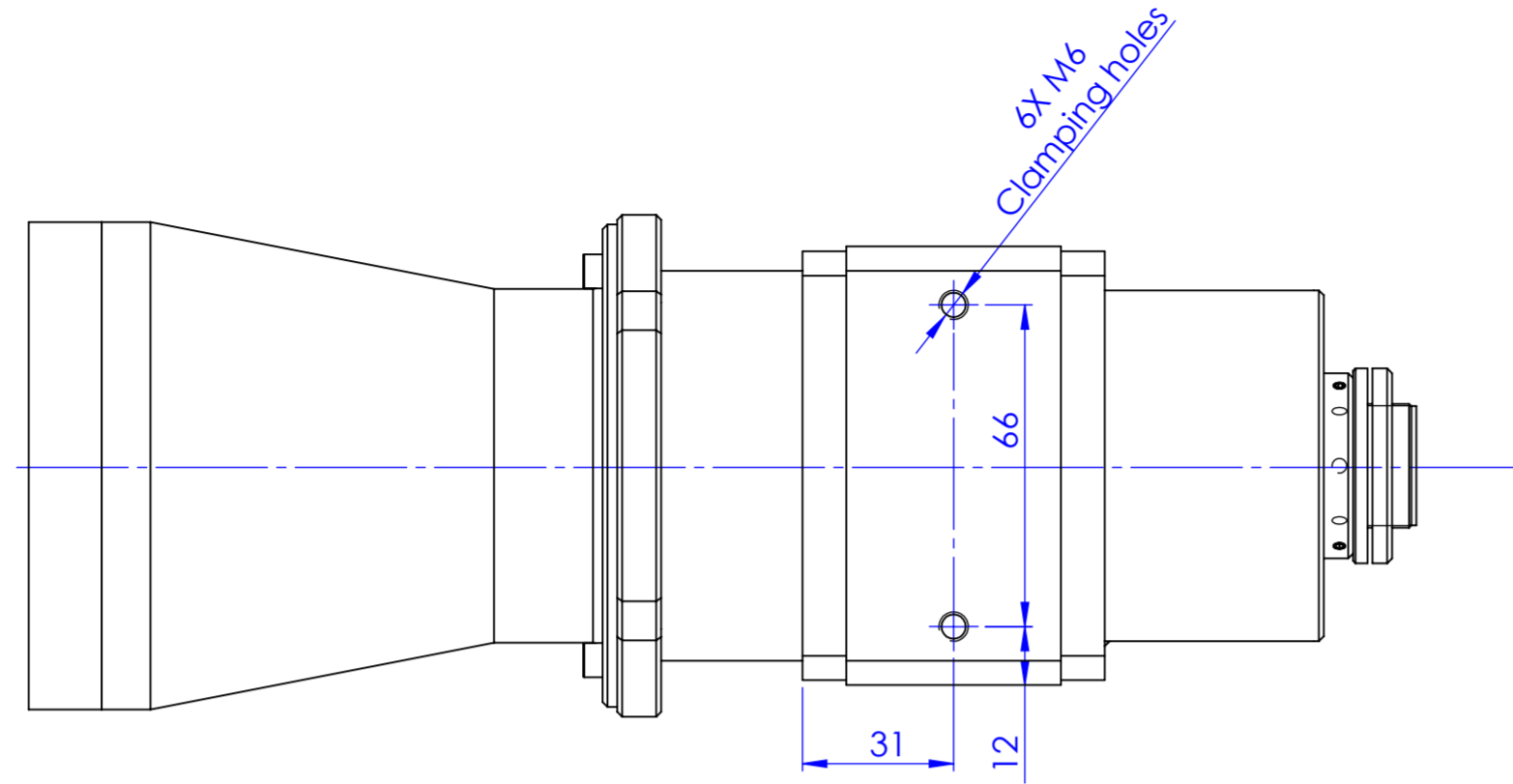


Rev No.	Description	Date	Name



Material	N.A.	Mass	2780 g	Scale	1:1.5					
Surface treatment	N.A.	Part No.	CO27073							
Geometrical tolerance (ISO 2768-2)	Class	K	Undimensioned bevels	0.5x45°	Description					
Linear tolerance (ISO 2768-2)	Class	m	Undimensioned radii	R 0.5	TCZR072S					
0.5	>3+	>6+	>30+	>120	>400+	>1000	>2000	>4000	Drawing No. DP 27073-A Sheet 1/1	
+3	6	30	120	+400	1000	+2000	+4000			
±0.1	±0.1	±0.2	±0.3	±0.5	±0.8	±1.2	±2			
 OPTO ENGINEERING S.r.l. - Mantova Italy - Tel. +39 0376 699111 - www.opto-engineering.com	Date	Name	Drawing No. DP 27073-A Sheet 1/1							
	Designed	20/08/2017	Santini	Description TCZR072S						
	Drawn	26/09/2018	Ccharly	Drawing No. DP 27073-A Sheet 1/1						
Checked	26/09/2018	Ccharly	Drawing No. DP 27073-A Sheet 1/1							

Secret and confidential - All rights reserved -
 No copy, dissemination or circulation is allowed unless
 specifically authorized in writing by OPTO ENGINEERING
 S.r.l. - Any violation shall be legally prosecuted.